

BLADES FOR VITICULTURE

www.stellalame.com



NEW CUTTING UNIT
Testa rossa
for viticulture & forest

NEW CUTTING UNIT

Testa rossa

for viticulture & forest

The Cutting Unit STELLA Testa Rossa is perfect for cutting vegetation and dry items up to 3 cm of diameter. The cutting unit has three standard lengths and it's ready to be fixed or adapted on every machine

Type	Code	Lenght (cm)	Cutting diam (mm)	Dimens.	N° of laps (max)	Weight (Kg)	Engines Cm3*
TR 120	SLC 2110	120	25/30	122x20	350	29	50/80/100
TR 150	SLC 2120	150	25/30	152x20	350	36	50/80/100
TR 180	SLC 2130	180	25/30	182x20	350	43	50/80/100

* Engine optional

Main application: **Viticulture, Forestal and green maintenance**



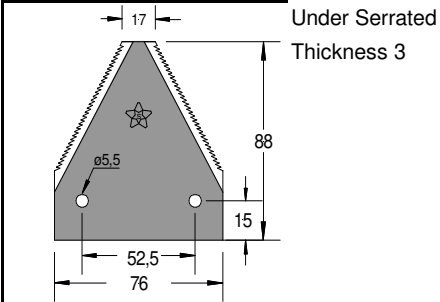
LAME PER VITICOLTURA E CIMATRICI - BLADES FOR VITICULTURE
KLINGEN FÜR DEN WEINBAU - SECTIONS POUR LA VITICULTURE
CUCHILLAS PARA LA VITICULTURA - НОЖИ СТРИГАЛЬНЫХ МАШИН ДЛЯ ВИНОГРАДСТВА

Code

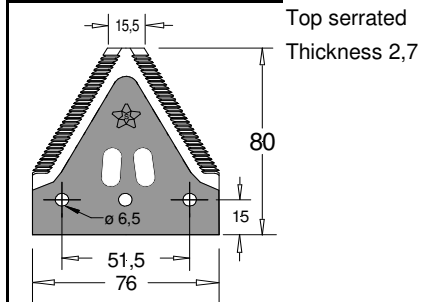
Adaptable to: Code

Adaptable to:

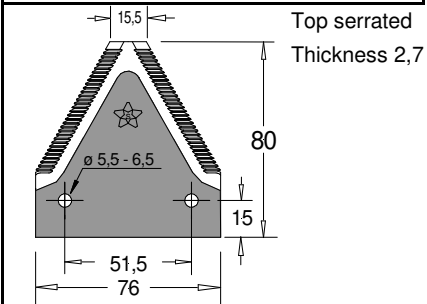
89x3 S f. 5,5



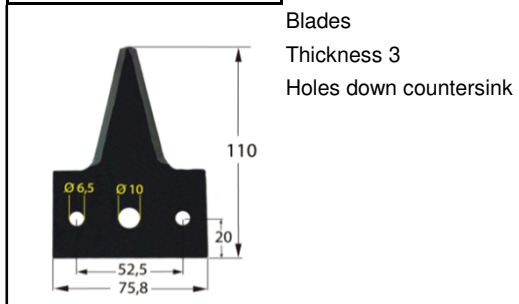
222 20



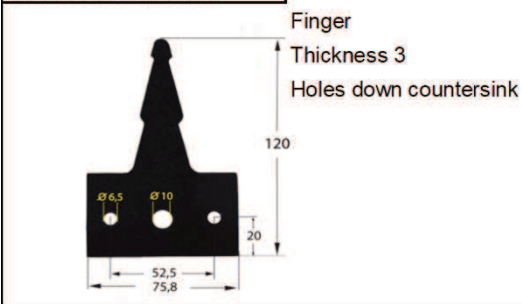
DIN 80 3SR - DIN LAND 300



FRANCIACORTA



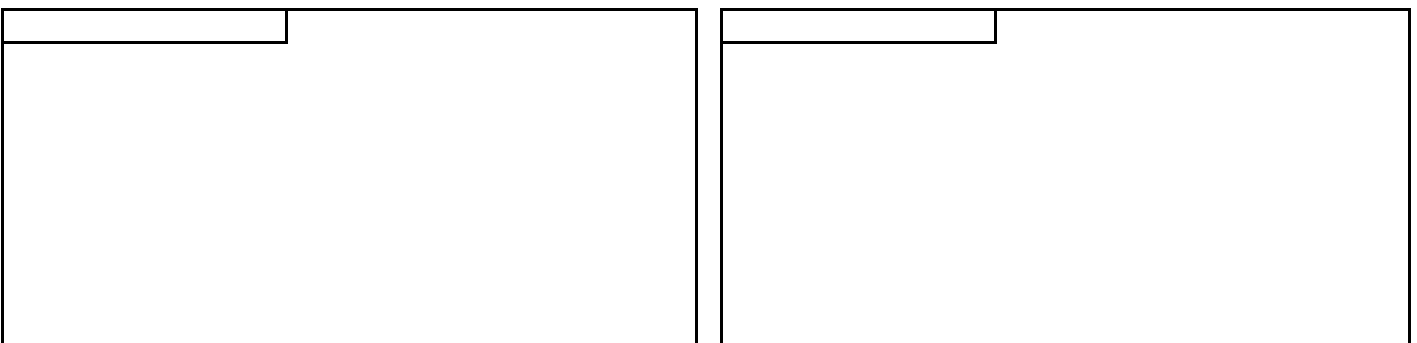
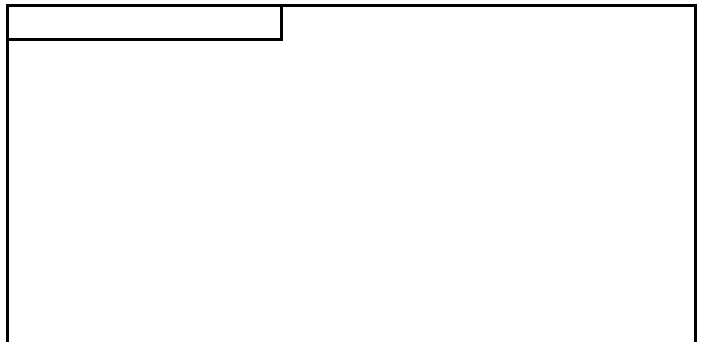
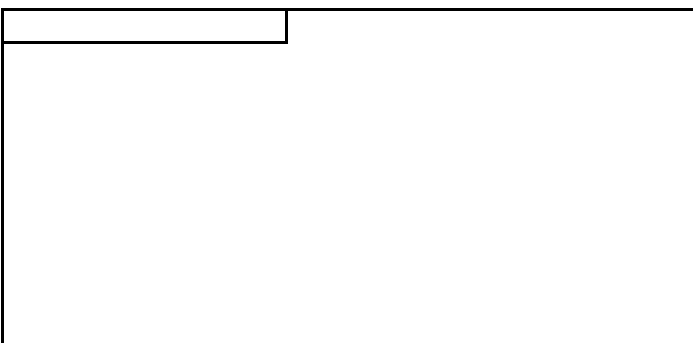
VITE ITALIANA



STDM 01 UNIVERSALE



DM 1



LAME PER VITICOLTURA E CIMATRICI - BLADES FOR VITICULTURE
KLINGEN FÜR DEN WEINBAU - SECTIONS POUR LA VITICULTURE
CUCHILLAS PARA LA VITICULTURA - НОЖИ СТРИГАЛЬНЫХ МАШИН ДЛЯ ВИНОГРАДСТВА

Code

Adaptable to: Code

Adaptable to:

