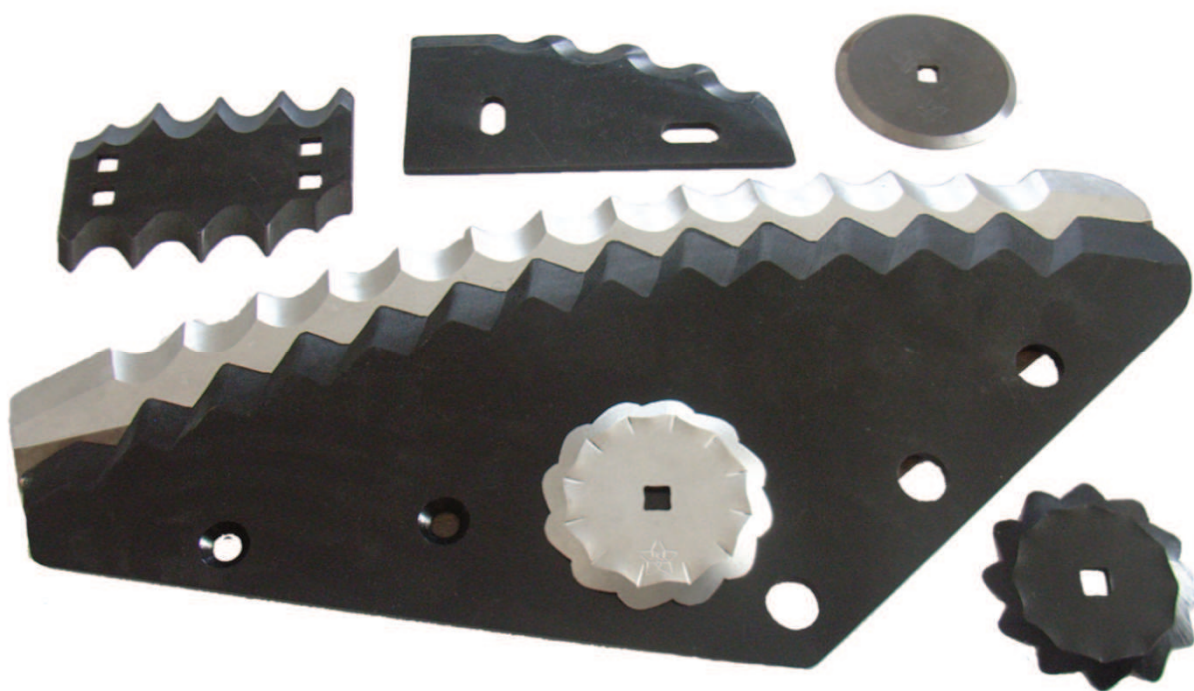


# KNIVES FOR SHREDDER / FEED MIXER

[www.stellalame.com](http://www.stellalame.com)



**LAME PER CARRI DESILATORI - KNIVES FOR SHREDDER MIXER**  
**KLINGEN FÜR SILOSENLADER - LAMES POUR EXTRACTEUR MELANGEURS**  
**CUCHILLAS DESMENUZADORAS PARA CARROS MEZCLADORES**  
**НОЖИ ДЛЯ МИКСЕРОВ-КОРМОРАЗДАТЧИКОВ**

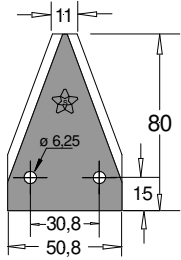
Code

Adaptable to:

Code

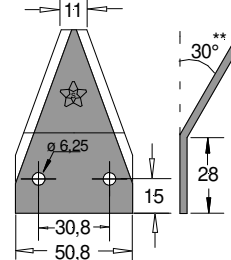
Adaptable to:

**D2001 L f.6,25**



Regular  
 Thickness 2,5  
 Mutti  
 Storti 16800008  
 Luclar  
 Feraboli  
 DeLaval  
 Other brands

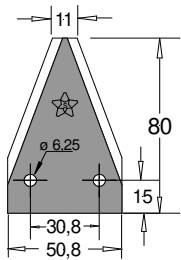
**D2001 L f.6,25 P**



\*\* The type of the folding can be modified on application.

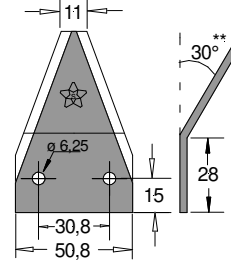
Regular  
 Thickness 2,5  
 Mutti  
 DeLaval  
 Other brands

**D2001 L x 3 f.6,25**



Regular  
 Thickness 3  
 Sgariboldi  
 Luclar  
 Other brands

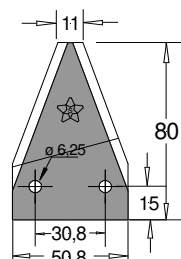
**D2001 L x 3 f.6,25 P**



\*\* The type of the folding can be modified on application.

Regular  
 Thickness 3  
 Luclar  
 Other brands

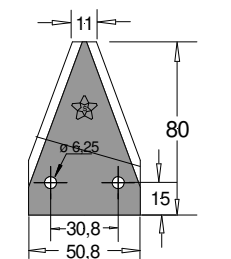
**D2001 L x 3 f.6,25 DX**



\*\* The type of the folding can be modified on application.

Regular  
 Thickness 3  
 Various brands

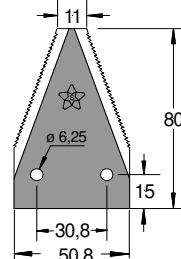
**D2001 L x 3 f.6,25 SX**



\*\* The type of the folding can be modified on application.

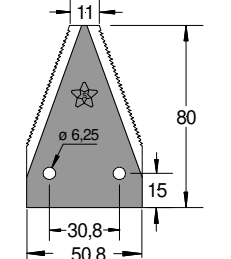
Regular  
 Thickness 3  
 Various brands

**D2001 S f.6,25**



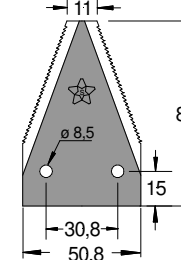
Under serrated  
 Thickness 2,5  
 Various brands

**D2001 S x 3 f.6,25**



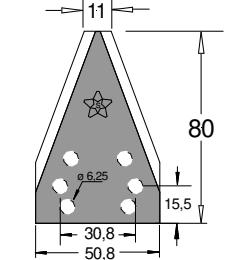
Under serrated  
 Thickness 3  
 Various brands

**D2001 S x 3 f.8,5**



Under serrated  
 Thickness 3  
 Various brands

**D2001 L 6 fori**



Regular  
 Thickness 2,5  
 DeLaval 94832801  
 Storti 1680002600



**LAME PER CARRI DESILATORI - KNIVES FOR SHREDDER MIXER**  
**KLINGEN FÜR SILOSENLADER - LAMES POUR EXTRACTEUR MELANGEURS**  
**CUCHILLAS DESMENUZADORAS PARA CARROS MEZCLADORES**  
**НОЖИ ДЛЯ МИКСЕРОВ-КОРМОРАЗДАТЧИКОВ**

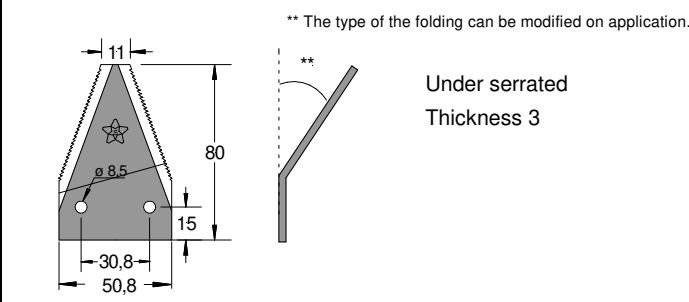
Code

Adaptable to:

Code

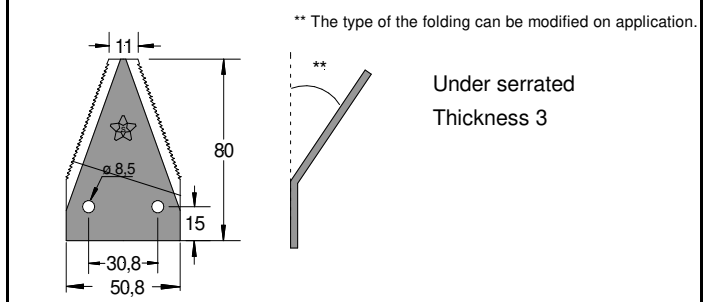
Adaptable to:

**D2001 S x 3 f.8,5 DX**



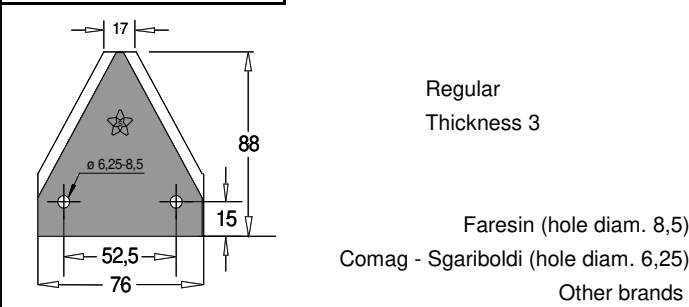
Under serrated  
Thickness 3

**D2001 S x 3 f.8,5 SX**



Under serrated  
Thickness 3

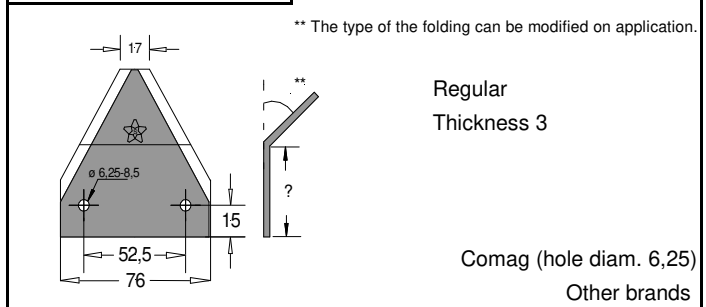
**89x3 L**



Regular  
Thickness 3

Faresin (hole diam. 8,5)  
Comag - Sgariboldi (hole diam. 6,25)  
Other brands

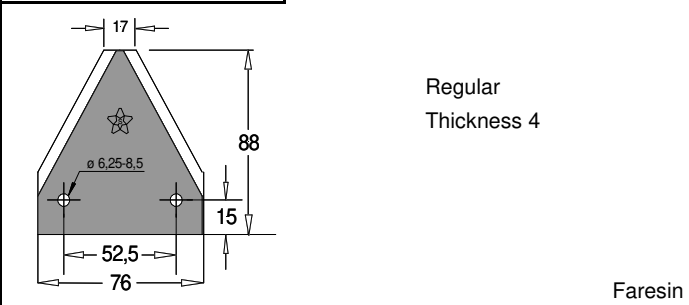
**89x3 L P**



Regular  
Thickness 3

Comag (hole diam. 6,25)  
Other brands

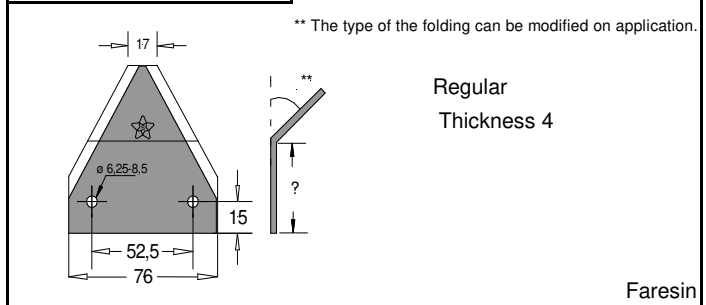
**89x4 L**



Regular  
Thickness 4

Faresin

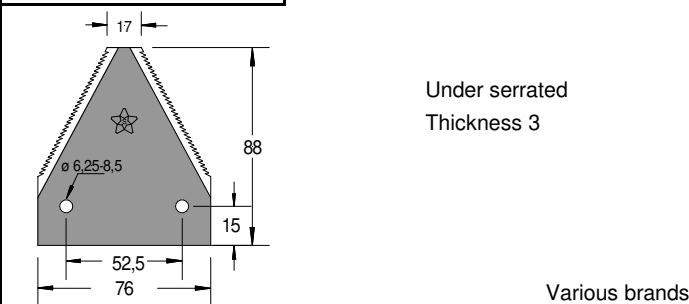
**89x4 L P**



Regular  
Thickness 4

Faresin

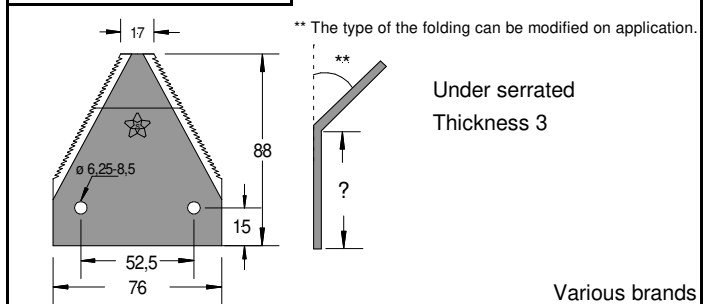
**89x3 S**



Under serrated  
Thickness 3

Various brands

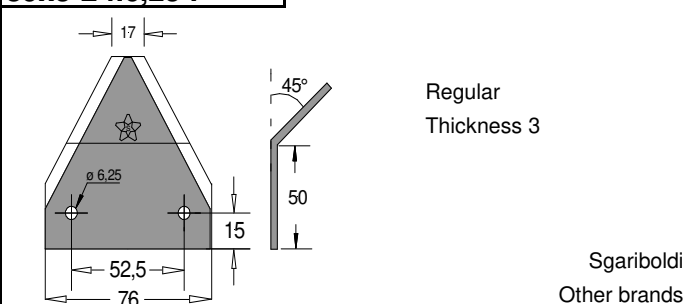
**89x3 S P**



Under serrated  
Thickness 3

Various brands

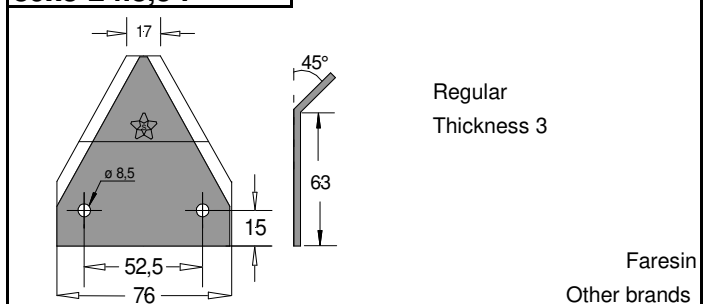
**89x3 L f.6,25 P**



Regular  
Thickness 3

Sgariboldi  
Other brands

**89x3 L f.8,5 P**



Regular  
Thickness 3

Faresin  
Other brands



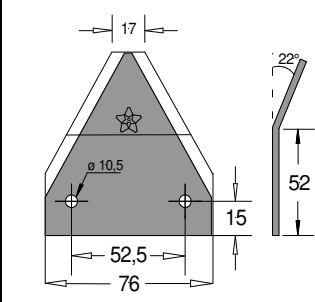
**LAME PER CARRI DESILATORI - KNIVES FOR SHREDDER MIXER**  
**KLINGEN FÜR SILOSENLADER - LAMES POUR EXTRACTEUR MELANGEURS**  
**CUCHILLAS DESMENUZADORAS PARA CARROS MEZCLADORES**  
**НОЖИ ДЛЯ МИКСЕРОВ-КОРМОРАЗДАТЧИКОВ**

Code

Adaptable to: Code

Adaptable to:

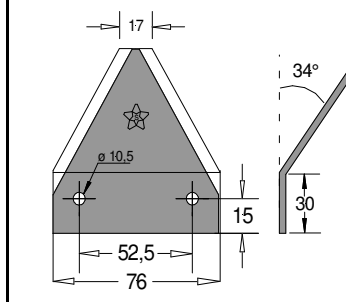
**89x3 L f.10,5 P 22**



Regular  
Thickness 3

Various brands

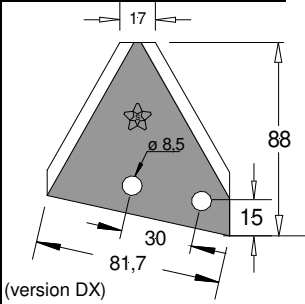
**89x3 L f.10,5 P 34**



Regular  
Thickness 3

Various brands

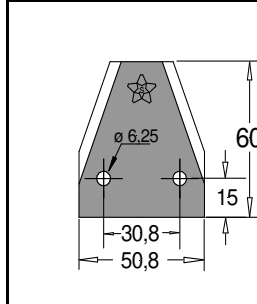
**89x3 L Dx - Sx**



Regular  
Thickness 3 / 4

AGM  
Unifast

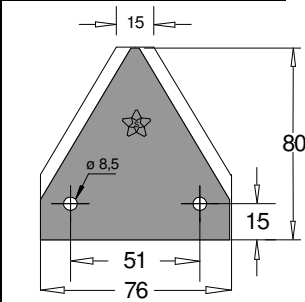
**D2001L FUX**



Regular  
Thickness 2,5

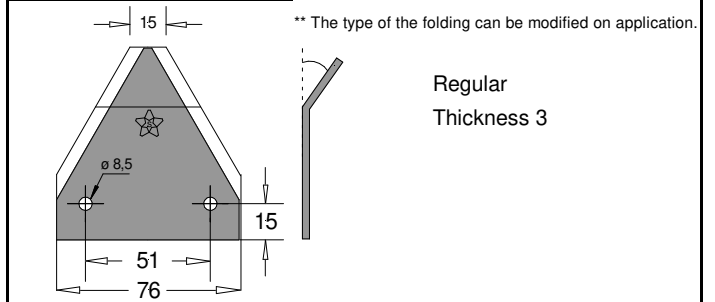
AGM

**212x3 L f.8,5**



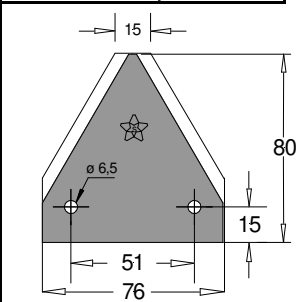
Regular  
Thickness 3

**212x3 L f.8,5 pieg.**



Regular  
Thickness 3

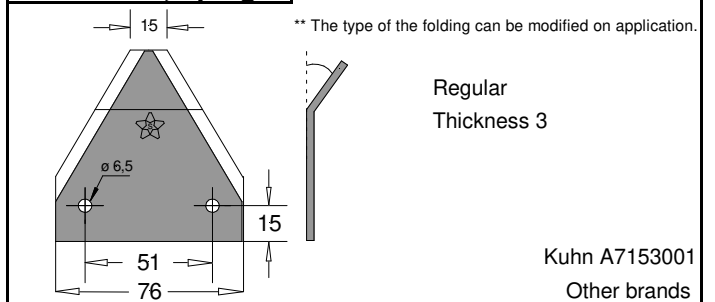
**212x3 L f.6,5**



Regular  
Thickness 3

Kuhn A7153002  
Other brands

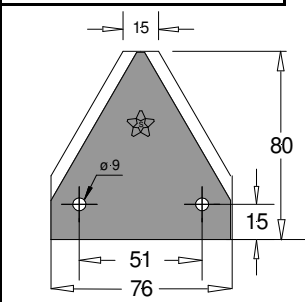
**212x3 L f.6,5 pieg.**



Regular  
Thickness 3

Kuhn A7153001  
Other brands

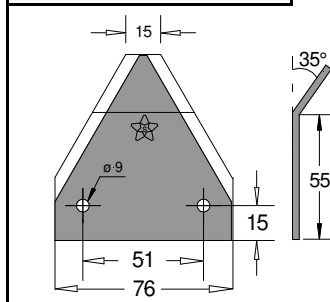
**363**



Regular  
Thickness 3

Marmix

**362**



Regular  
Thickness 3

Marmix



**LAME PER CARRI DESILATORI - KNIVES FOR SHREDDER MIXER**  
**KLINGEN FÜR SILOSENLADER - LAMES POUR EXTRACTEUR MELANGEURS**  
**CUCHILLAS DESMENUZADORAS PARA CARROS MEZCLADORES**  
**НОЖИ ДЛЯ МИКСЕРОВ-КОРМОРАЗДАТЧИКОВ**

Code

Adaptable to: Code

Adaptable to:

**242 P dx - sx**

\*\* The type of the folding can be modified on application.

Regular / Under serrated  
Thickness 3

Seko 24479055 DX  
Seko 24479056 SX  
Seko 24479043 (on point)

**ROTOMIX SR**

Top serrated  
Thickness 2,7

Rotomix

**ST 3001**

**NEW**

Regular  
Thickness 4

Storti 16800150  
Storti 1680003001 (with covering)

**ROTOMIX SR**

Under serrated  
Thickness 2,7

Rotomix

**ST 0029 TN**

**NEW**

Regular

Storti 16800029

**ST 0129 TN**

**NEW**

Regular

Storti 16800129

**ST 7153021**

**NEW**

Regular  
Thickness 4

Kuhn A7153021

**ST604206 P60° TN**

**NEW**

Siloking 604206

**ST 704229**

**NEW**

Silage excluding

Keenan 704229

**ST 1350 TN**

**NEW**

Guaresi 19078



**LAME PER CARRI DESILATORI - KNIVES FOR SHREDDER MIXER**  
**KLINGEN FÜR SILOSENLADER - LAMES POUR EXTRACTEUR MELANGEURS**  
**CUCHILLAS DESMENUZADORAS PARA CARROS MEZCLADORES**  
**НОЖИ ДЛЯ МИКСЕРОВ-КОРМОРАЗДАТЧИКОВ**

Code

Adaptable to: Code

Adaptable to:

**DISCO 95**



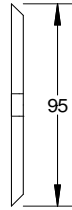
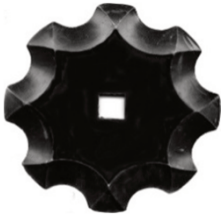
Thickness 5  
 Hole 11 x 11 Sgariboldi  
 Himel 3001689  
 Pagliari - Marmix  
 Luclar - Eurocomp  
 Supertino - Tatoma  
 Storti 1680020  
 Frasto 16800020 - Walker  
 DeLaval 94832401

**DISCO DENTATO 95**



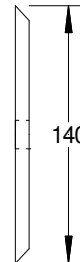
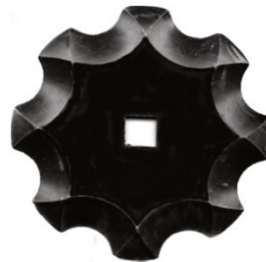
Thickness 5  
 Hole 11 x 11  
 Himel  
 Tatoma  
 Storti 16800014  
 Frasto 16800014 - Walker  
 Kverneland

**DISCO DENTATO SK**



Thickness 5  
 Hole 11 x 11

**DISCO DENTATO SK - diam.140**



Thickness 8  
 Hole 16,5 x 16,5

**COLTELLO OVALE DENTATO**



Thickness 5

Storti 16800139

**DISCO MARGHERITA diam. 95**



Thickness 5  
 Hole 11 x 11

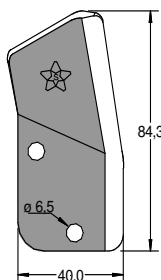
Various brands

**COLTELLO OVALE DENTATO DIAM. 110**



Storti 16800171

**ALETTA DX-SX**

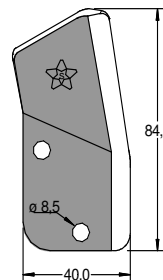


Thickness 3  
 Hole Ø 6,5

Storti 16800012-13

(version SX)

**ALETTA DX-SX**



Thickness 4  
 Hole Ø 8,5

(version SX)



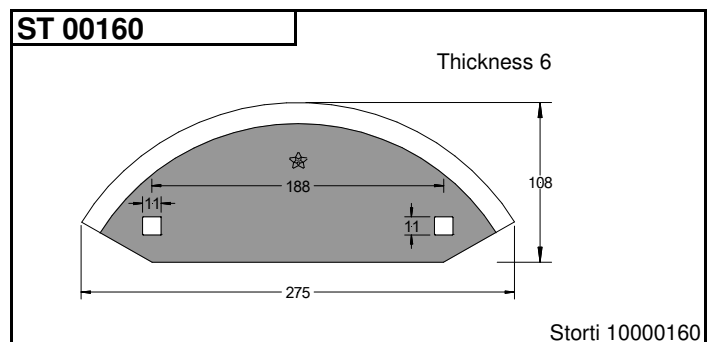
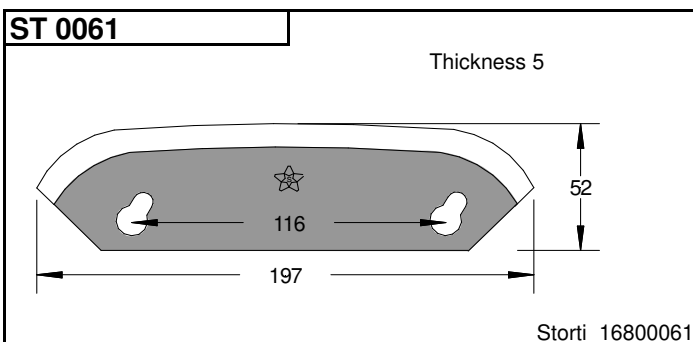
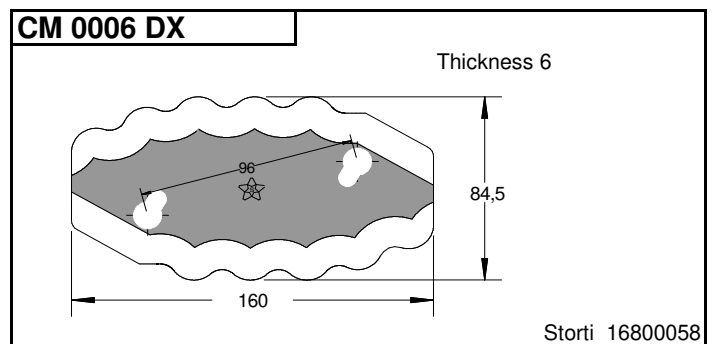
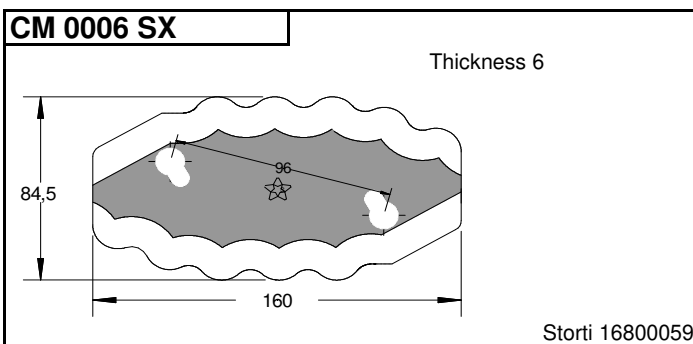
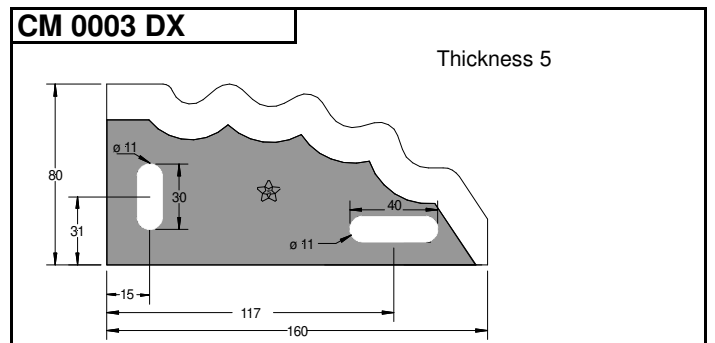
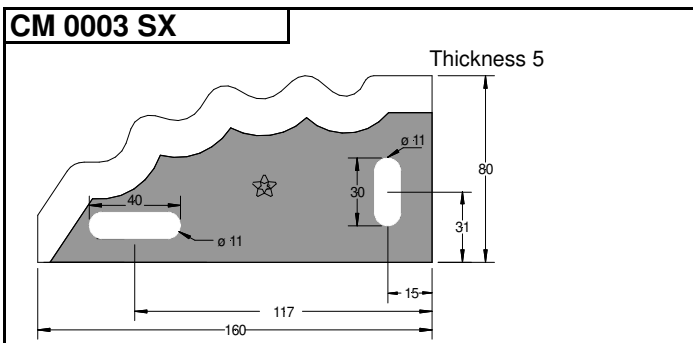
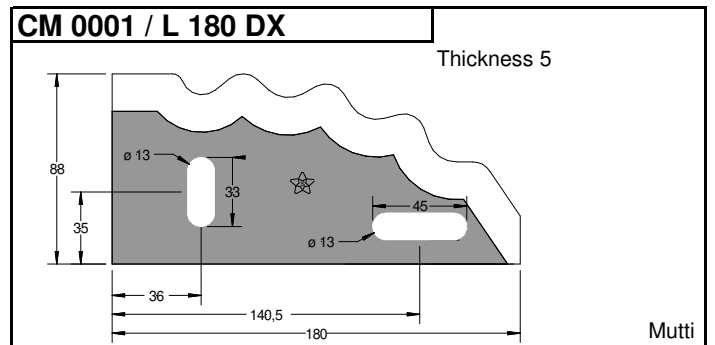
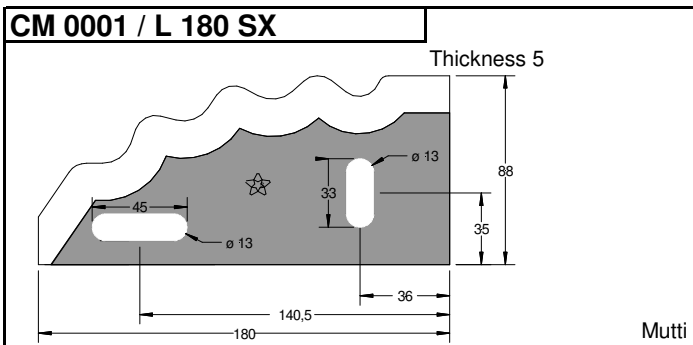
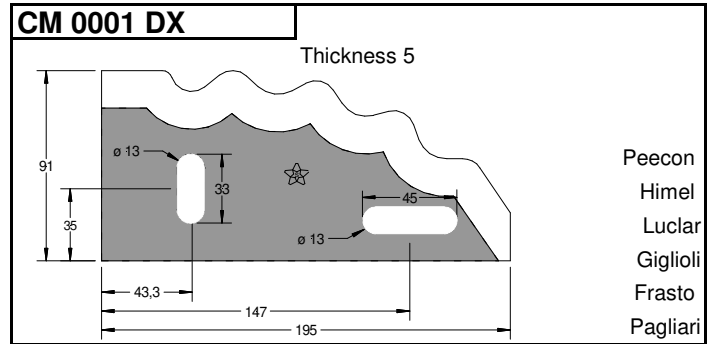
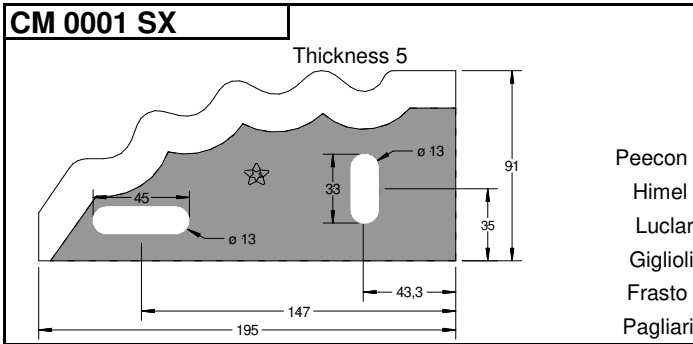
**LAME PER CARRI DESILATORI - KNIVES FOR SHREDDER MIXER**  
**KLINGEN FÜR SILOSENLADER - LAMES POUR EXTRACTEUR MELANGEURS**  
**CUCHILLAS DESMENUZADORAS PARA CARROS MEZCLADORES**  
**НОЖИ ДЛЯ МИКСЕРОВ-КОРМОРАЗДАТЧИКОВ**

Code

Adaptable to:

Code

Adaptable to:





**LAME PER CARRI DESILATORI - KNIVES FOR SHREDDER MIXER  
 KLINGEN FÜR SILOSENLADER - LAMES POUR EXTRACTEUR MELANGEURS  
 CUCHILLAS DESMENUZADORAS PARA CARROS MEZCLADORES  
 НОЖИ ДЛЯ МИКСЕРОВ-КОРМОРАЗДАТЧИКОВ**

Code

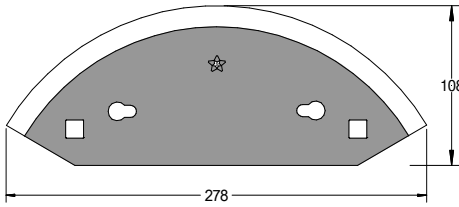
Adaptable to:

Code

Adaptable to:

**ST 00133**

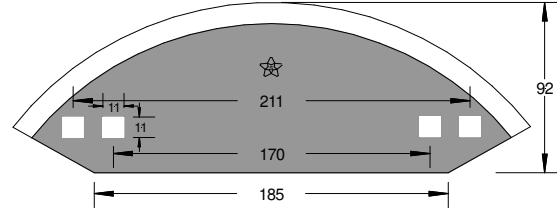
Thickness 6



Storti 16800133

**CMF 0020**

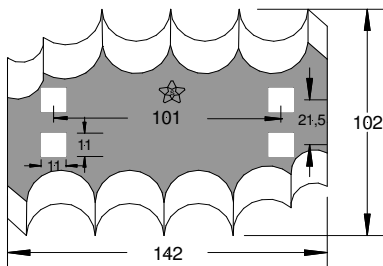
Thickness 5



Faresin

**CMF 0021 SX**

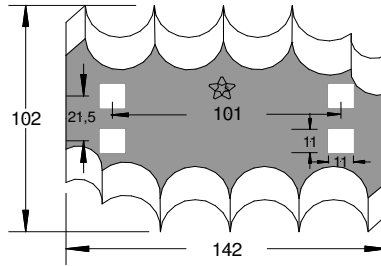
Thickness 5 / 6



Faresin 30840.8750

**CMF 0021 DX**

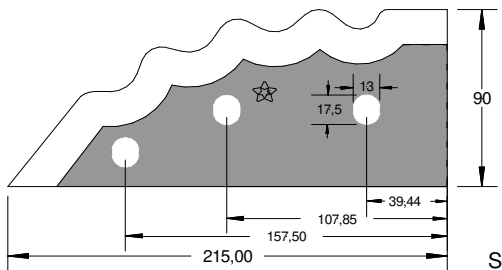
Thickness 5 / 6



Faresin 30845.9950

**CMS 0005 SX**

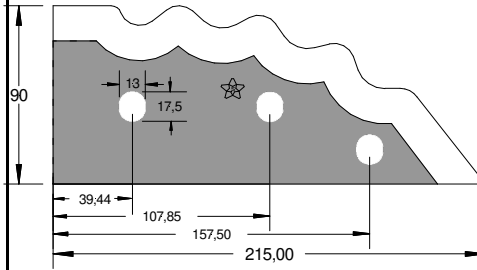
Thickness 5



Sgariboldi CL04.008

**CMS 0005 DX**

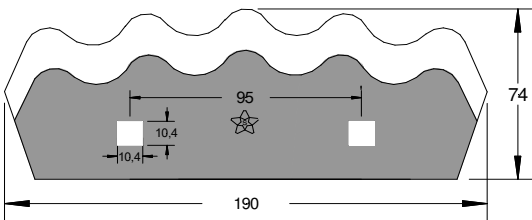
Thickness 5



Sgariboldi CL04.014

**CM 0002**

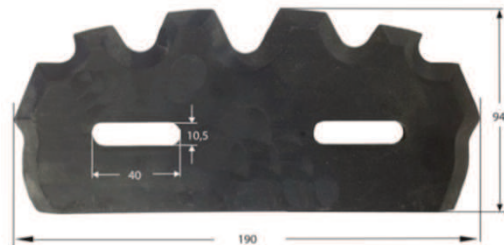
Thickness 5



Marmix

**CM 0008**

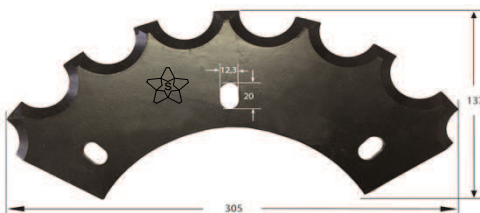
Thickness 5



Giglioli

**CM 0009 T**

Thickness 5



Tatoma MR-090-06

**ST 703954 SX**

Thickness 5



Keenan 703955  
Keenan 703954





**LAME PER CARRI DESILATORI - KNIVES FOR SHREDDER MIXER**  
**KLINGEN FÜR SILOSENLADER - LAMES POUR EXTRACTEUR MELANGEURS**  
**CUCHILLAS DESMENUZADORAS PARA CARROS MEZCLADORES**  
**НОЖИ ДЛЯ МИКСЕРОВ-КОРМОРАЗДАТЧИКОВ**

Code

Adaptable to:

Code

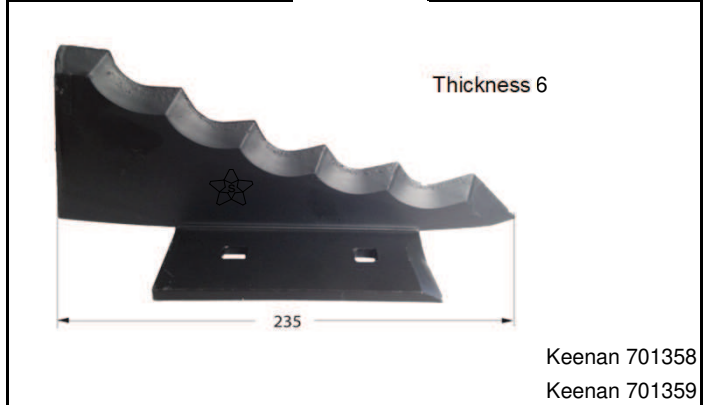
Adaptable to:

**ST 703956 SX**

**ST 703957 DX**

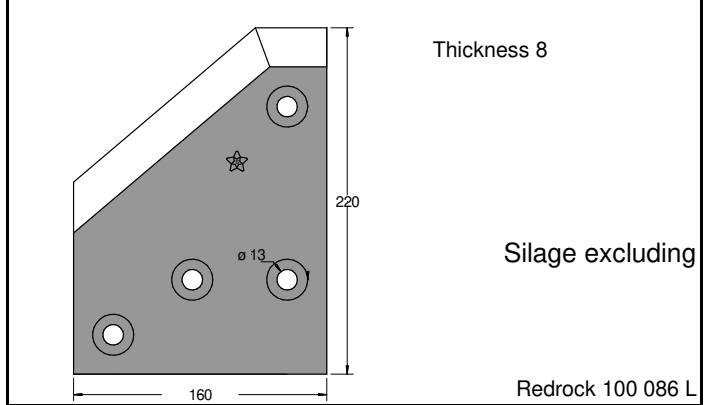
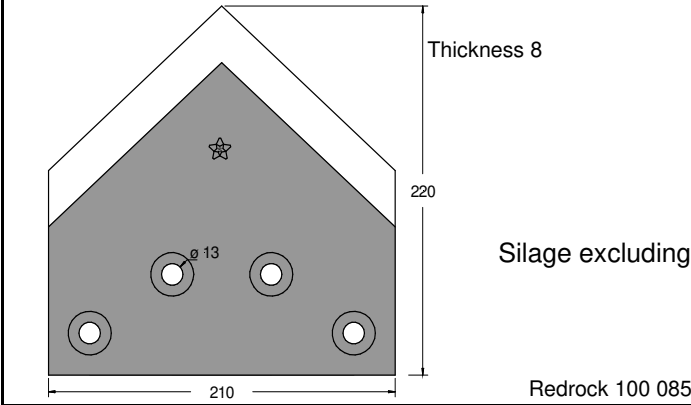
**ST 701359 SX**

**ST 701358 DX**



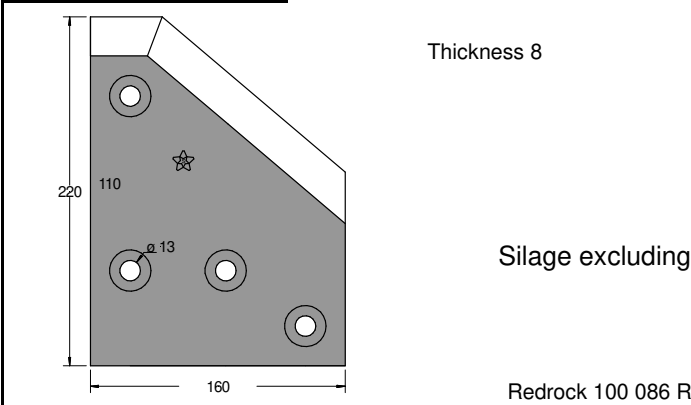
**RRC 210x220**

**RRS 160x220**



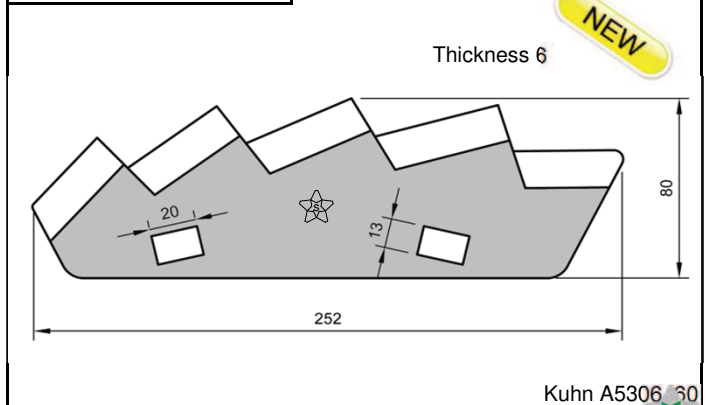
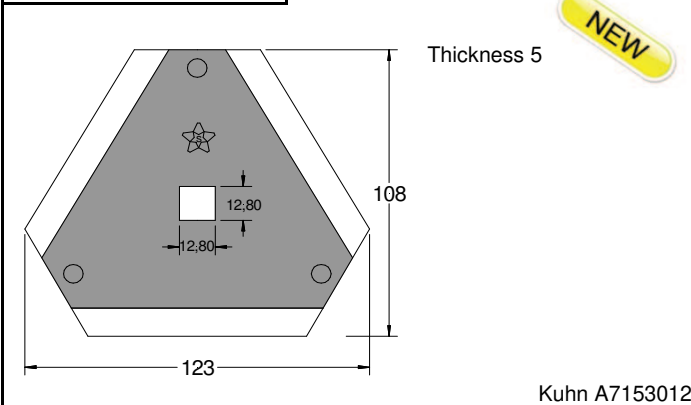
**RRD 160x220**

**COLTELLO TR**



**ST 7153012**

**ST 5306460**



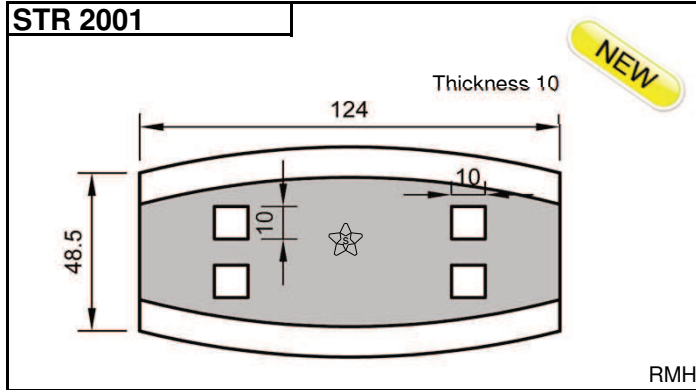
**LAME PER CARRI DESILATORI - KNIVES FOR SHREDDER MIXER**  
**KLINGEN FÜR SILOSENLADER - LAMES POUR EXTRACTEUR MELANGEURS**  
**CUCHILLAS DESMENUZADORAS PARA CARROS MEZCLADORES**  
**НОЖИ ДЛЯ МИКСЕРОВ-КОРМОРАЗДАТЧИКОВ**

Code

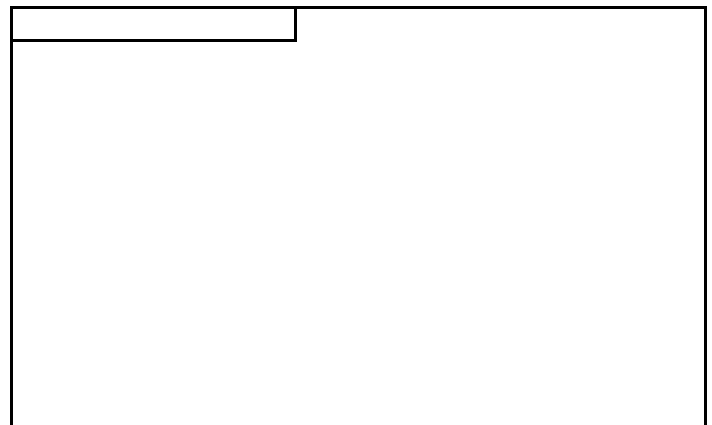
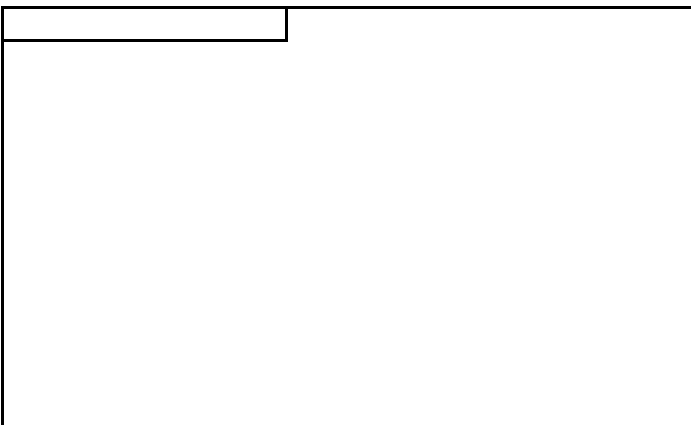
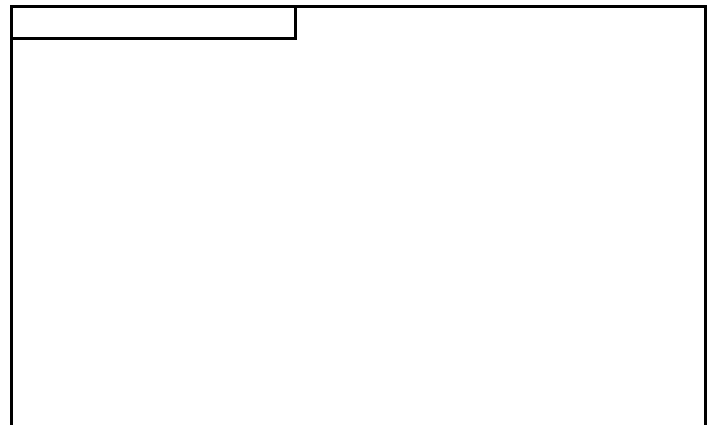
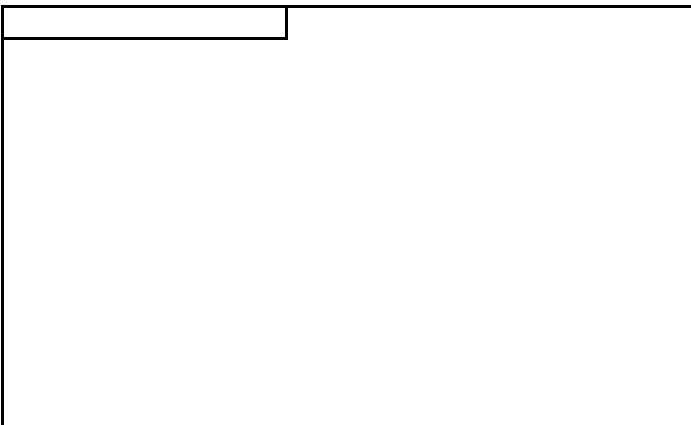
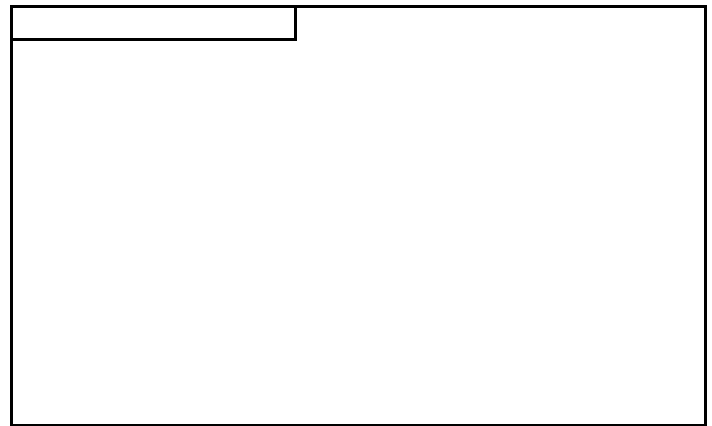
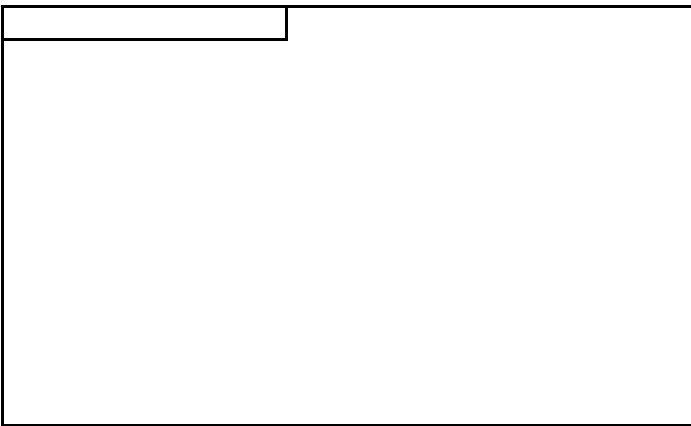
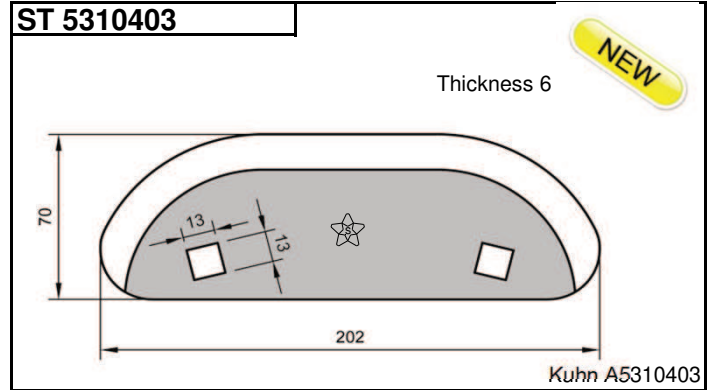
Adaptable to: Code

Adaptable to:

**STR 2001**



**ST 5310403**



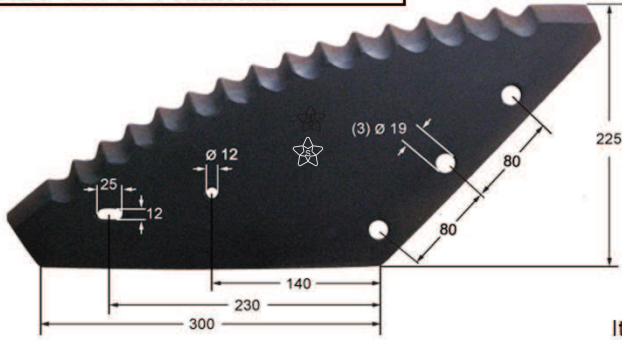
**LAME PER CARRI DESILATORI - KNIVES FOR SHREDDER MIXER**  
**KLINGEN FÜR SILOSENLADER - LAMES POUR EXTRACTEUR MELANGEURS**  
**CUCHILLAS DESMENUZADORAS PARA CARROS MEZCLADORES**  
**НОЖИ ДЛЯ МИКСЕРОВ-КОРМОРАЗДАТЧИКОВ**

Code

Adaptable to: Code

Adaptable to:

**CMV 0004 - Platinum**

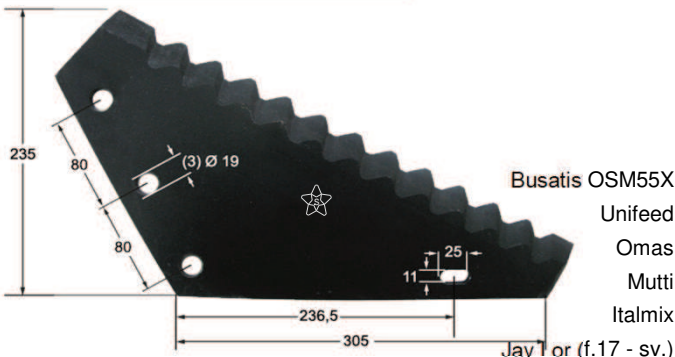


AGM  
Italmix

Available also with chrome covering

Other brands

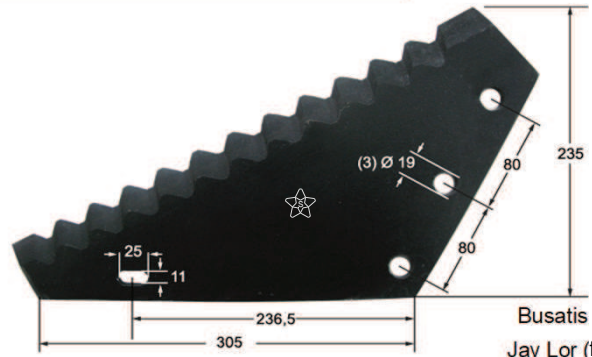
**CMV 0007 SX - Standard**



Busatis OSM55X  
Unifeed  
Omas  
Mutti  
Italmix  
Jay Lor (f.17 - sv.)  
Supreme (f.17 - sv.)

Available also with tungsten covering

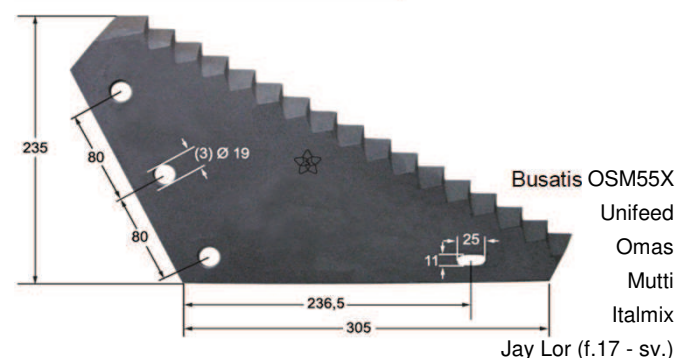
**CMV 0007 DX - Standard**



Unifeed  
Omas  
Mutti  
Italmix  
Busatis OSM20X  
Jay Lor (f.17 - sv.)  
Supreme (f.17 - sv.)

Available also with tungsten covering

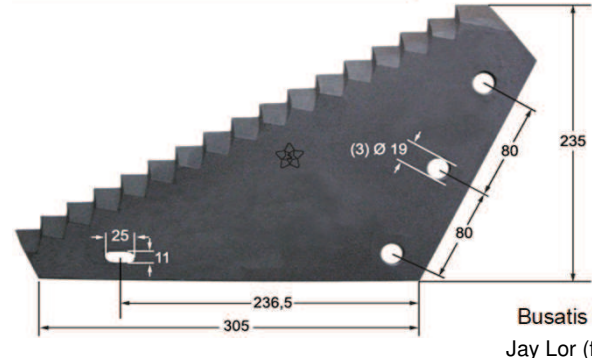
**CMV 0007 SX - Platinum**



Busatis OSM55X  
Unifeed  
Omas  
Mutti  
Italmix  
Jay Lor (f.17 - sv.)  
Supreme (f.17 - sv.)

Available also with chrome / tungsten covering

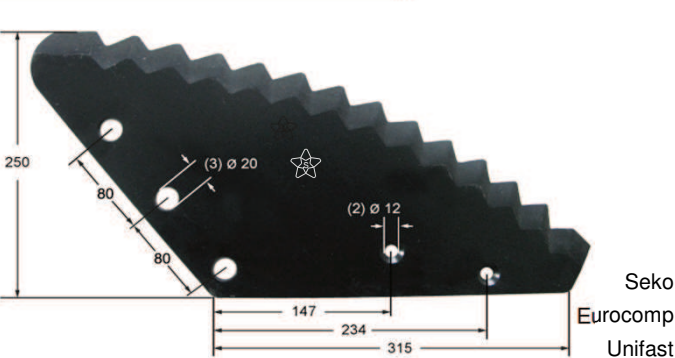
**CMV 0007 DX - Platinum**



Unifeed  
Omas  
Mutti  
Italmix  
Busatis OSM20X  
Jay Lor (f.17 - sv.)  
Supreme (f.17 - sv.)

Available also with chrome / tungsten covering

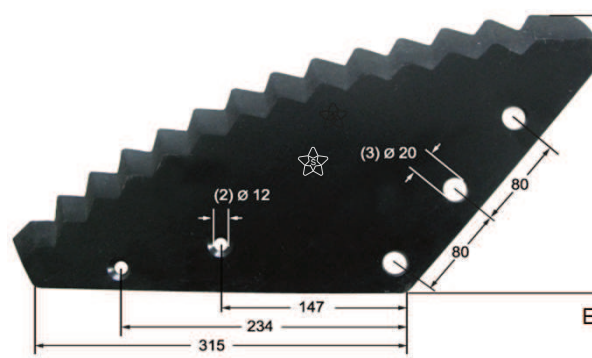
**CMV 0009 SX - Standard**



Seko  
Eurocomp  
Unifast  
AGM

Available also with tungsten covering

**CMV 0009 DX - Standard**



Seko  
Eurocomp  
Unifast  
AGM

Available also with tungsten covering



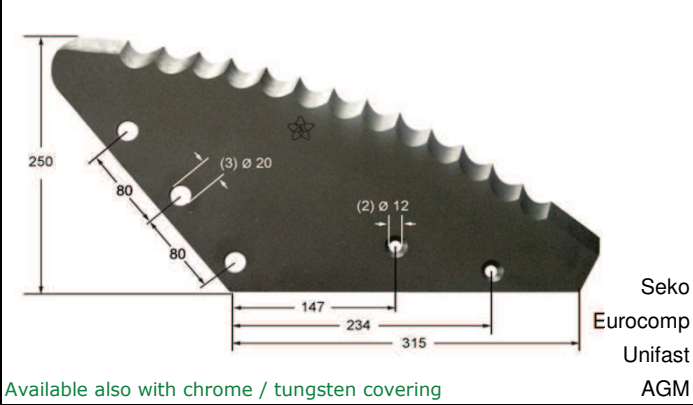
**LAME PER CARRI DESILATORI - KNIVES FOR SHREDDER MIXER**  
**KLINGEN FÜR SILOSENLADER - LAMES POUR EXTRACTEUR MELANGEURS**  
**CUCHILLAS DESMENUZADORAS PARA CARROS MEZCLADORES**  
**НОЖИ ДЛЯ МИКСЕРОВ-КОРМОРАЗДАТЧИКОВ**

Code

Adaptable to: Code

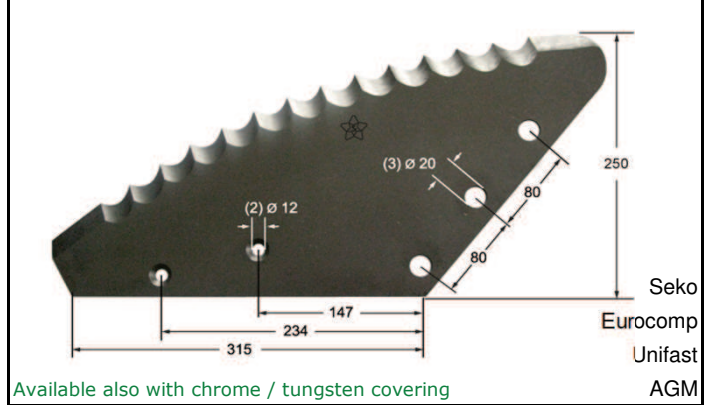
Adaptable to:

**CMV 0009 SX - Platinum**



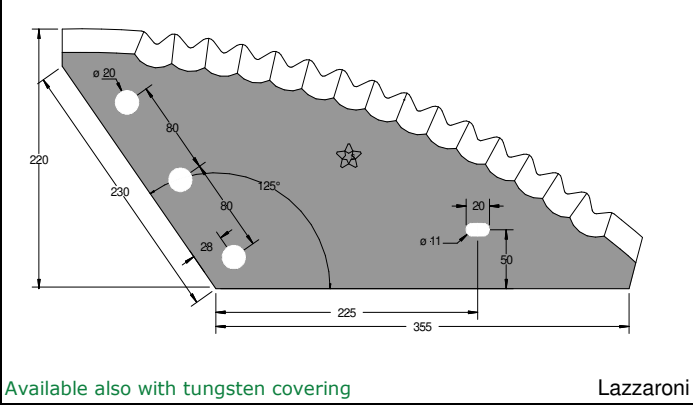
Available also with chrome / tungsten covering

**CMV 0009 DX - Platinum**



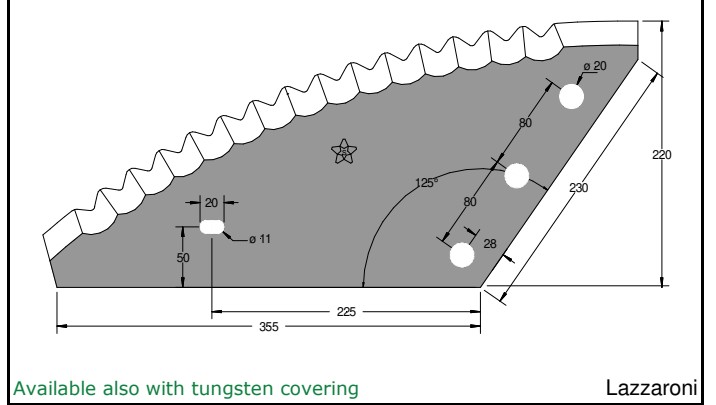
Available also with chrome / tungsten covering

**CMV 0010 SX - Standard**



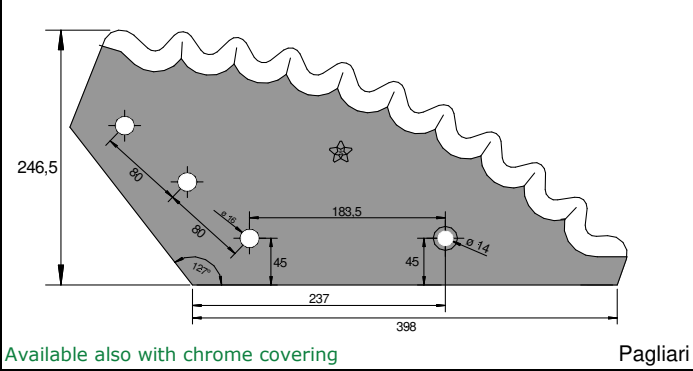
Available also with tungsten covering

**CMV 0010 DX - Standard**



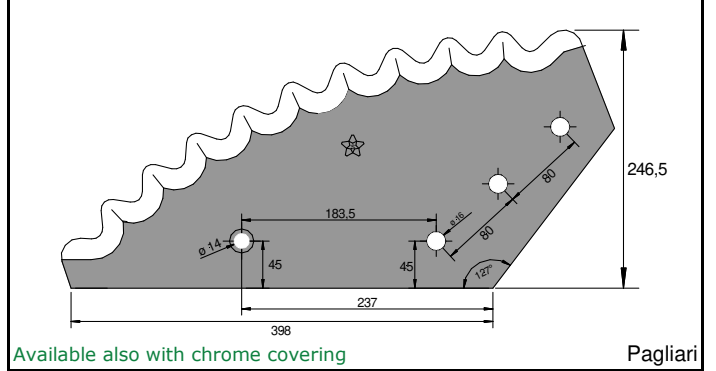
Available also with tungsten covering

**CMV 0011 SX - Platinum**



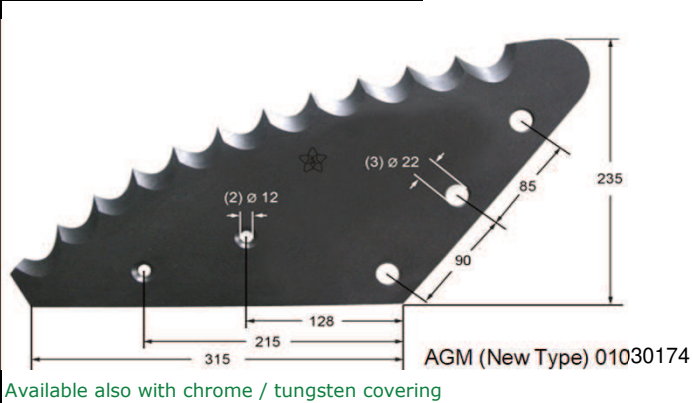
Available also with chrome covering

**CMV 0011 DX - Platinum**



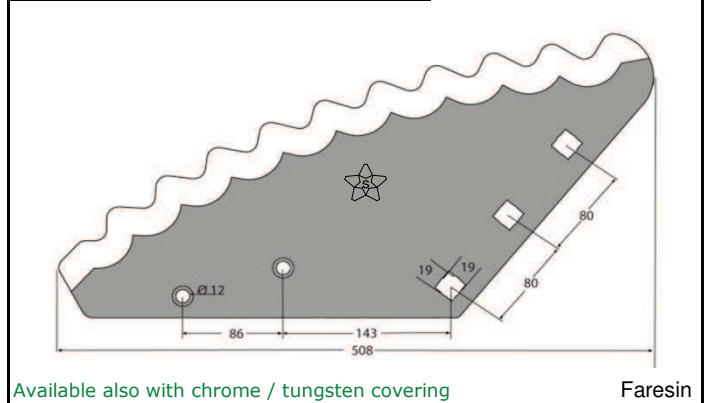
Available also with chrome covering

**CMV 0012 - Platinum**



Available also with chrome / tungsten covering

**CMV 0015**



Available also with chrome / tungsten covering





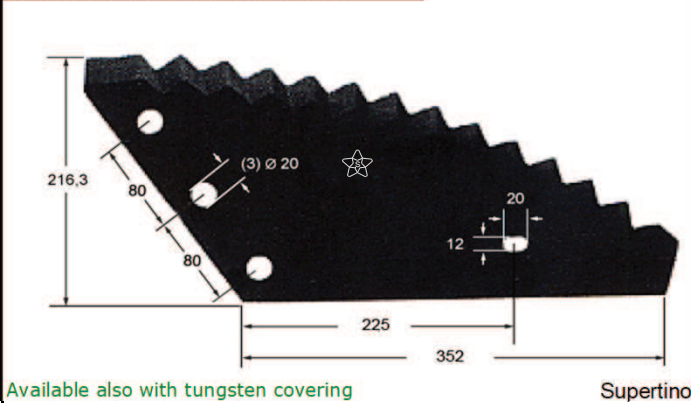
**LAME PER CARRI DESILATORI - KNIVES FOR SHREDDER MIXER**  
**KLINGEN FÜR SILOSENLADER - LAMES POUR EXTRACTEUR MELANGEURS**  
**CUCHILLAS DESMENUZADORAS PARA CARROS MEZCLADORES**  
**НОЖИ ДЛЯ МИКСЕРОВ-КОРМОРАЗДАТЧИКОВ**

Code

Adaptable to: Code

Adaptable to:

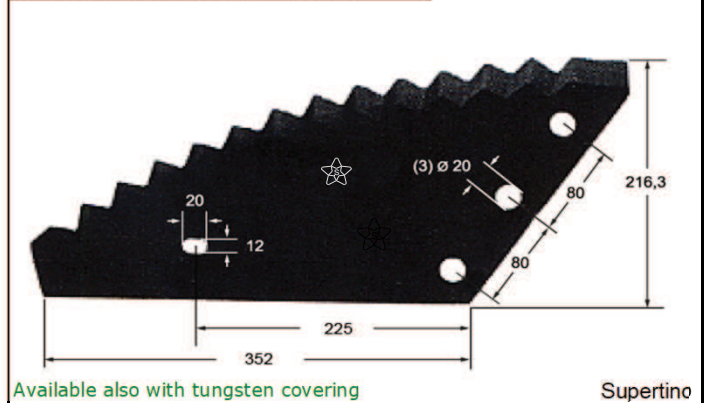
**CMV 0014 SX - Standard**



Available also with tungsten covering

Supertino

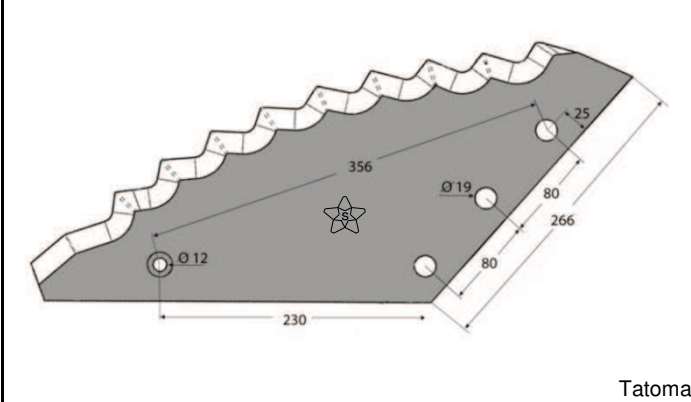
**CMV 0014 DX - Standard**



Available also with tungsten covering

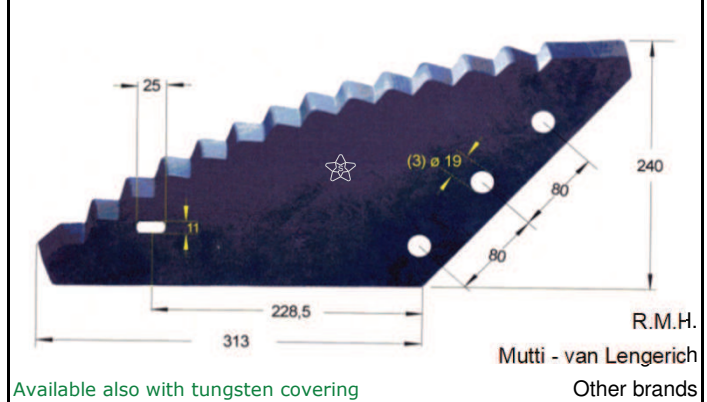
Supertino

**CMV 0016**



Tatoma

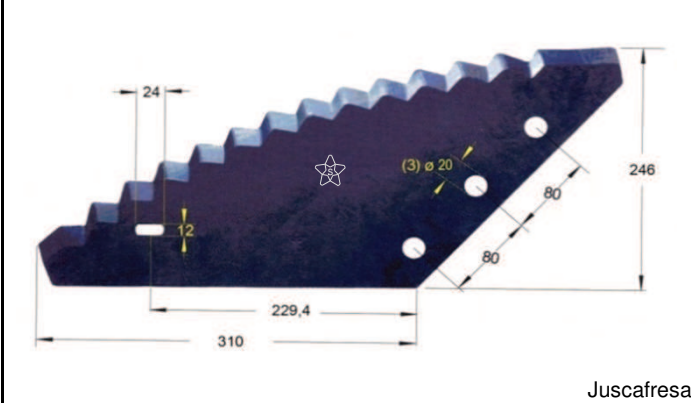
**CMV 0018**



Available also with tungsten covering

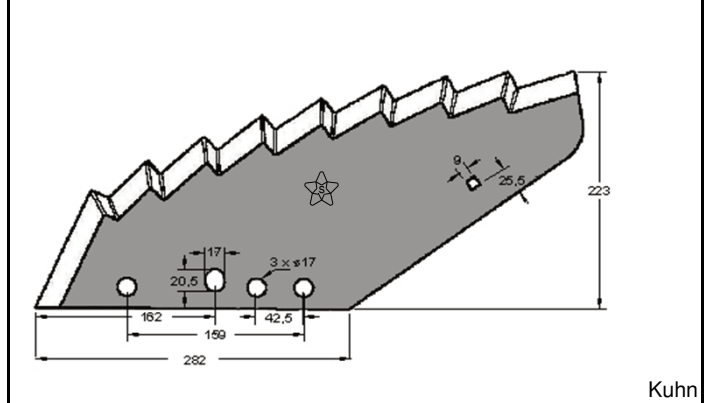
R.M.H.  
Mutti - van Lengerich  
Other brands

**CMV 0019**



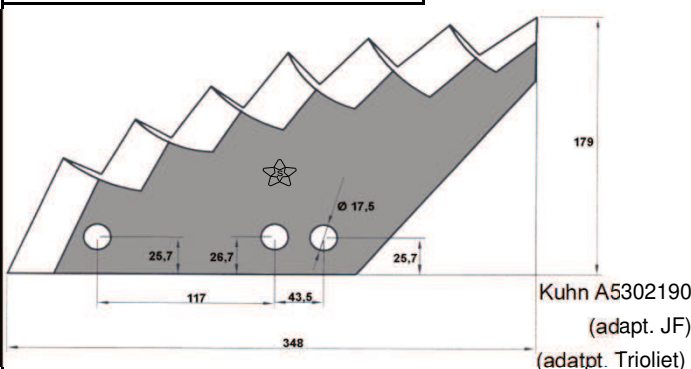
Juscafresa

**CMV 0020**



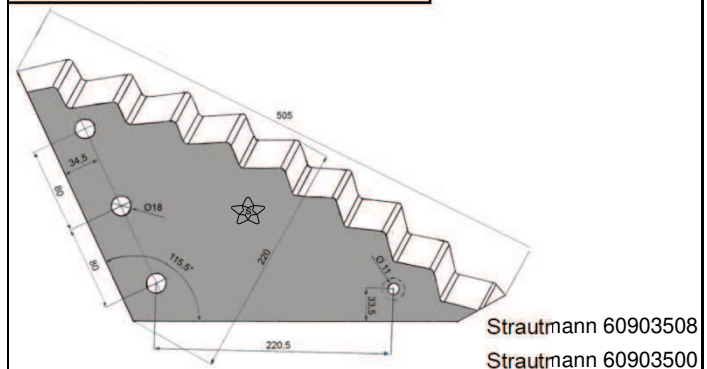
Kuhn

**CMV 0021**



Kuhn A5302190  
(adapt. JF)  
(adapt. Trioliet)

**CMV 0022**



Strautmann 60903508  
Strautmann 60903500



**LAME PER CARRI DESILATORI - KNIVES FOR SHREDDER MIXER**  
**KLINGEN FÜR SILOSENLADER - LAMES POUR EXTRACTEUR MELANGEURS**  
**CUCHILLAS DESMENUZADORAS PARA CARROS MEZCLADORES**  
**НОЖИ ДЛЯ МИКСЕРОВ-КОРМОРАЗДАТЧИКОВ**

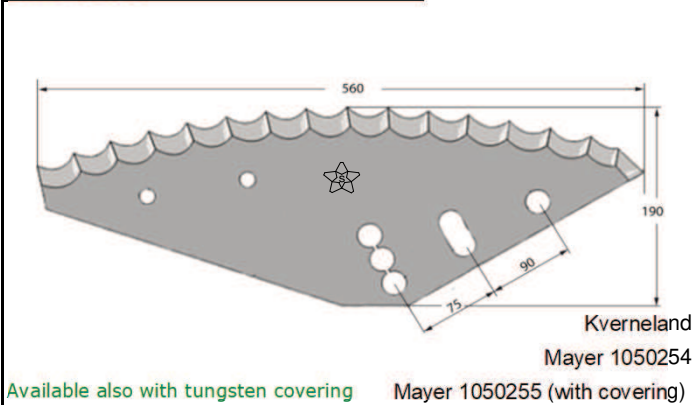
Code

Adaptable to:

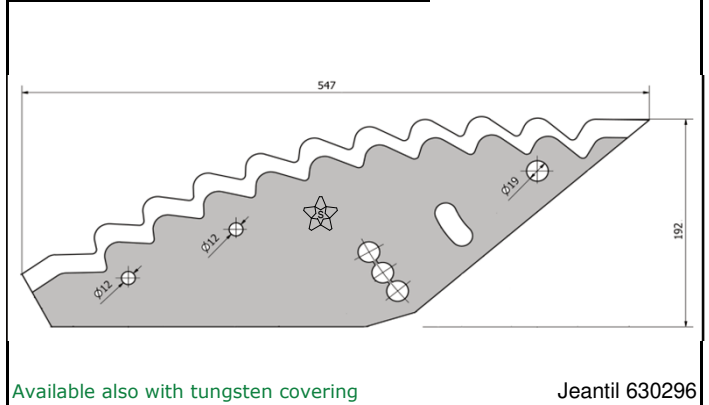
Code

Adaptable to:

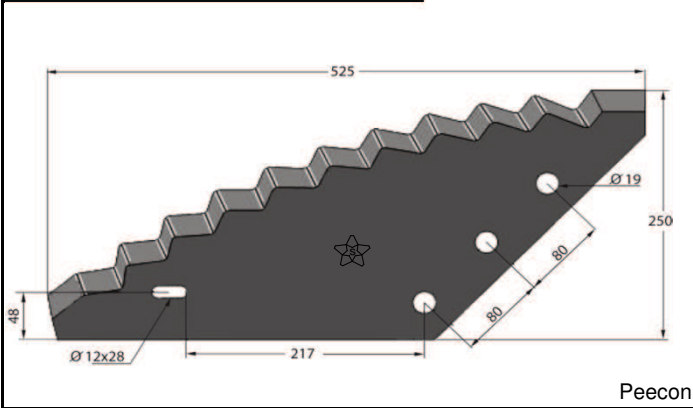
**CMV 0023**



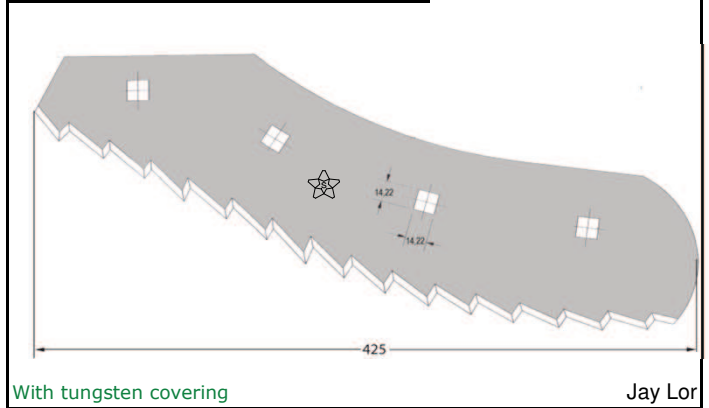
**CMV 0023 JEANTIL**



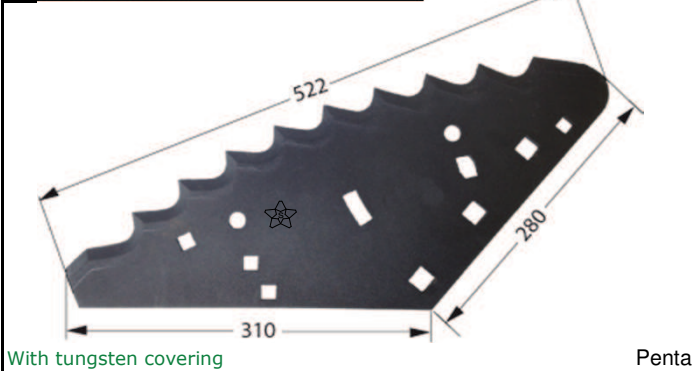
**CMV 0024-**



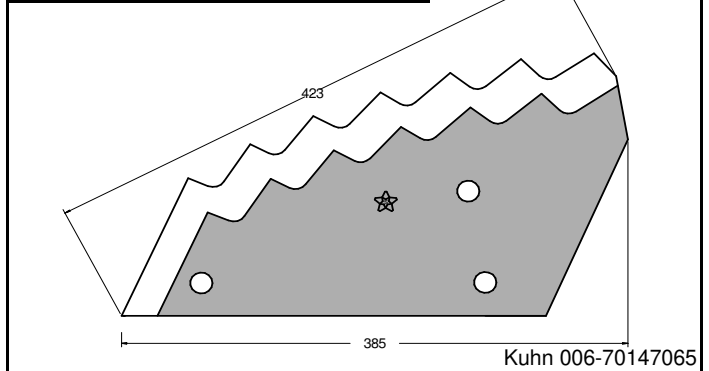
**CMV 0025 TN**



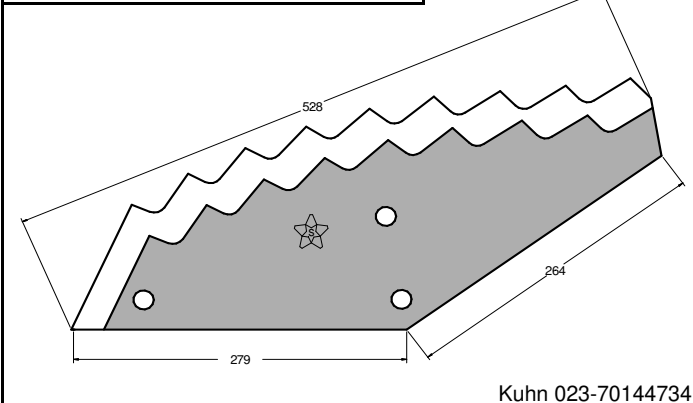
**CMV 0026 TN**



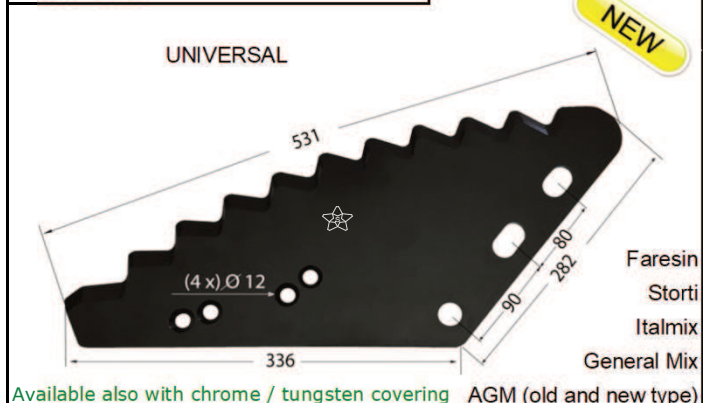
**CMV 0027**



**CMV 0028**



**CMV 0029**



**LAME PER CARRI DESILATORI - KNIVES FOR SHREDDER MIXER**  
**KLINGEN FÜR SILOSENLADER - LAMES POUR EXTRACTEUR MELANGEURS**  
**CUCHILLAS DESMENUZADORAS PARA CARROS MEZCLADORES**  
**НОЖИ ДЛЯ МИКСЕРОВ-КОРМОРАЗДАТЧИКОВ**

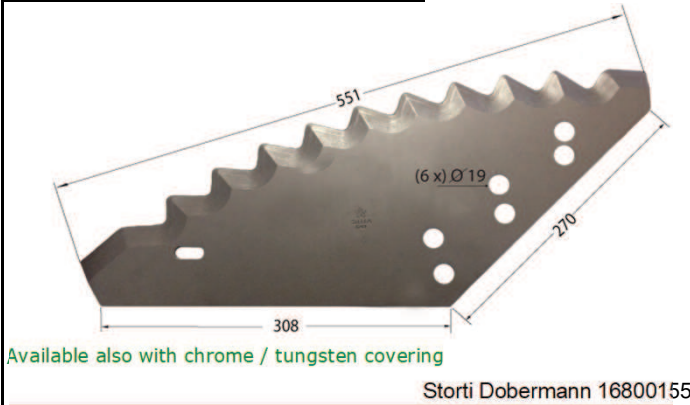
Code

Adaptable to:

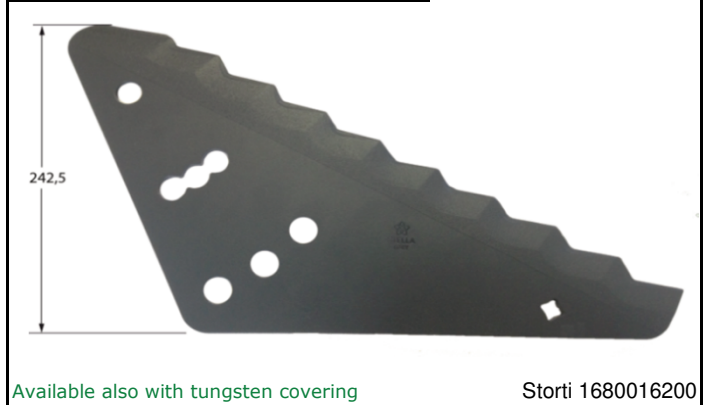
Code

Adaptable to:

**CMV 00155**



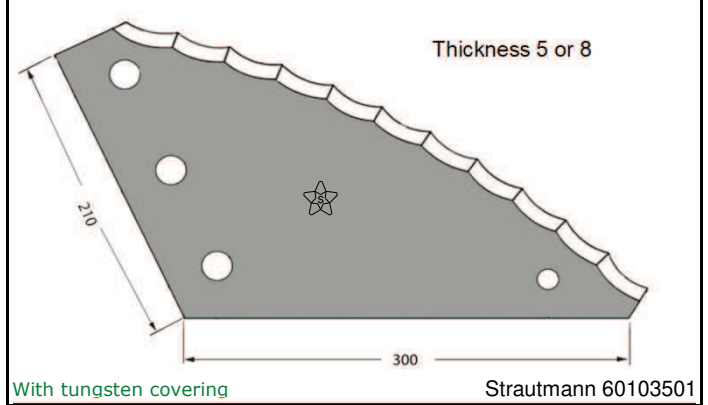
**ST 16200**



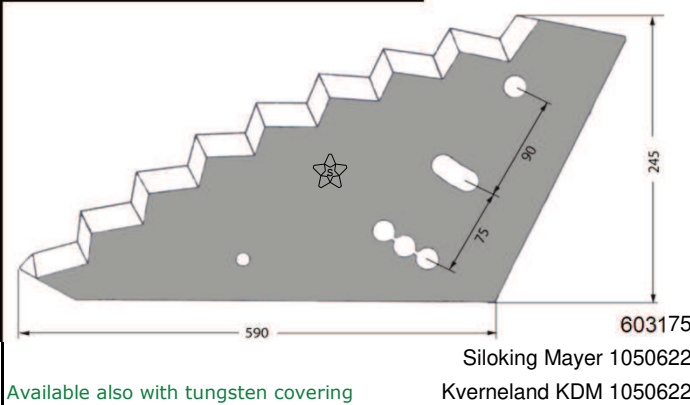
**CMV 0035**



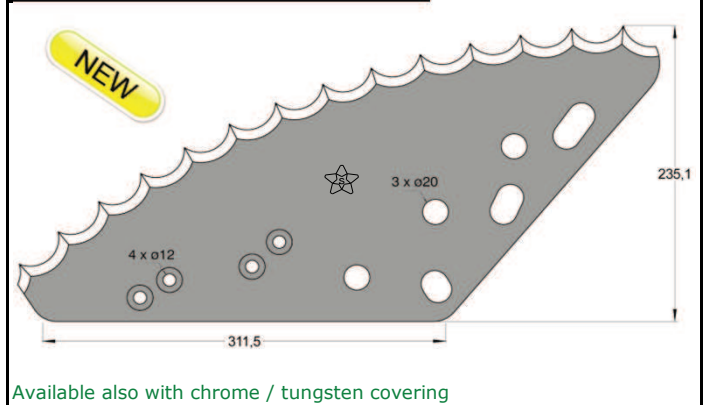
**CMV 0046 TN**



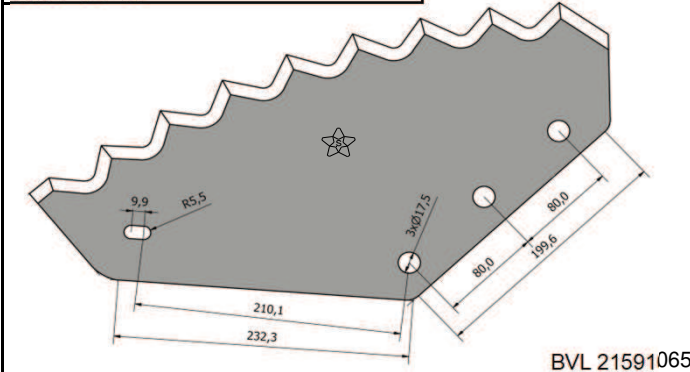
**CMV 0047**



**CMV 0030**



**CMV 0048**



**ST 05945**



**ST 05818**





**LAME PER CARRI DESILATORI - KNIVES FOR SHREDDER MIXER**  
**KLINGEN FÜR SILOSENLADER - LAMES POUR EXTRACTEUR MELANGEURS**  
**CUCHILLAS DESMENUZADORAS PARA CARROS MEZCLADORES**  
**НОЖИ ДЛЯ МИКСЕРОВ-КОРМОРАЗДАТЧИКОВ**

Code

Adaptable to: Code

Adaptable to:

