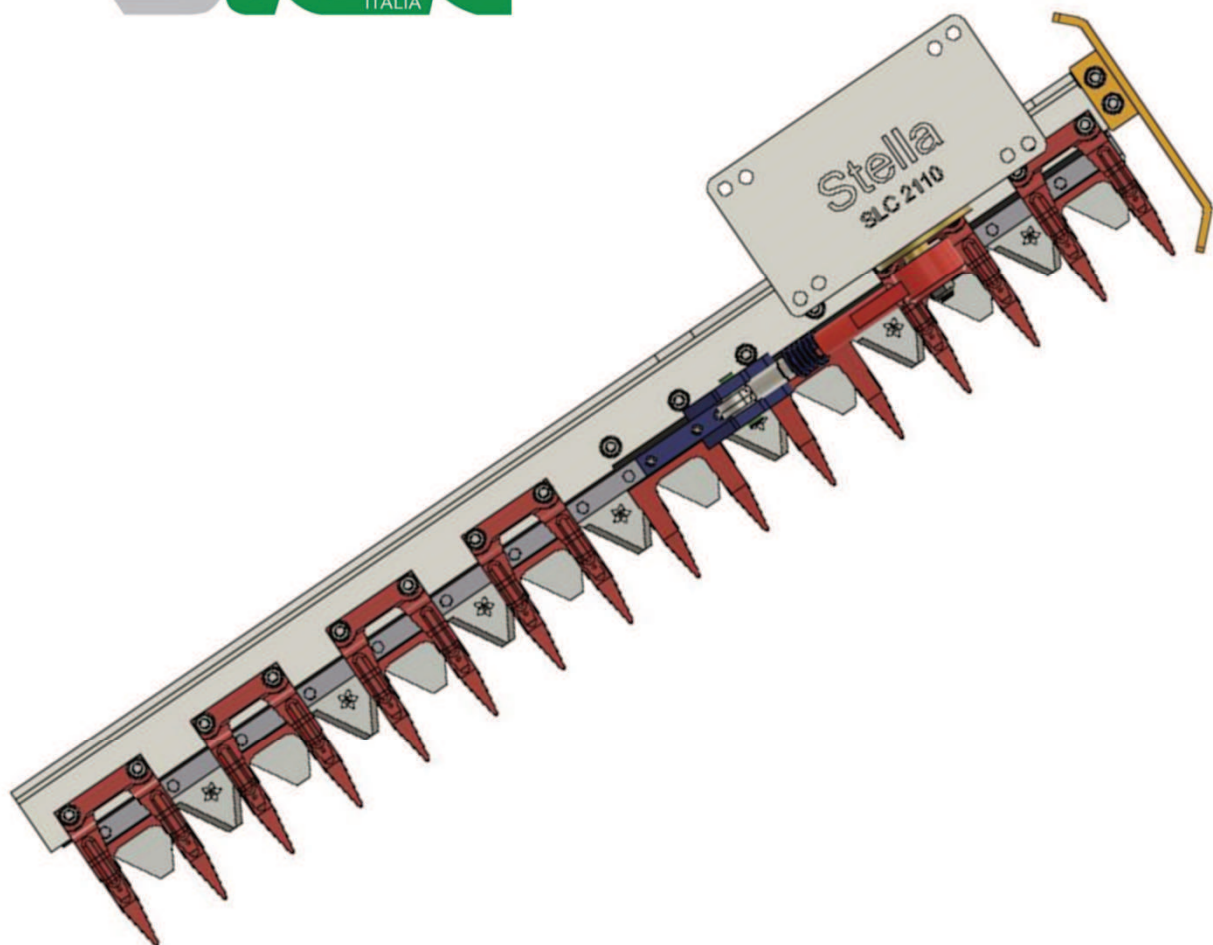


# BLADES FOR VITICULTURE

[www.stellalame.com](http://www.stellalame.com)



NEW CUTTING UNIT  
***Testa rossa***  
*for viticulture & forest*

# NEW CUTTING UNIT

# *Testa rossa*

## *for viticulture & forest*

The Cutting Unit STELLA Testa Rossa is perfect for cutting vegetation and dry items up to 3 cm of diameter. The cutting unit has three standard lengths and it's ready to be fixed or adapted on every machine

Type	Code	Length (cm)	Cutting diam (mm)	Dimens.	N° of laps (max)	Weight (Kg)	Engines Cm3*
TR 120	SLC 2110	120	25/30	122x20	350	29	50/80/100
TR 150	SLC 2120	150	25/30	152x20	350	36	50/80/100
TR 180	SLC 2130	180	25/30	182x20	350	43	50/80/100

\* Engine optional

Main application: **Viticulture, Forestal and green maintenance**

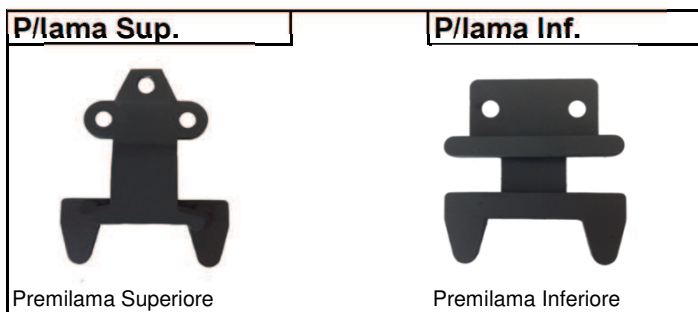
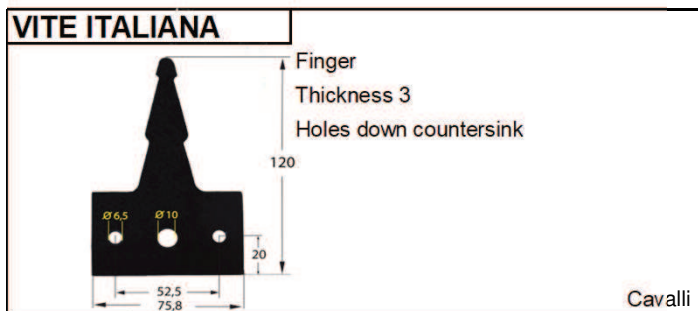
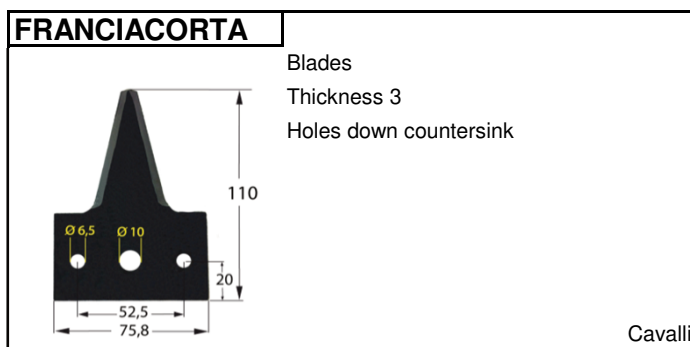
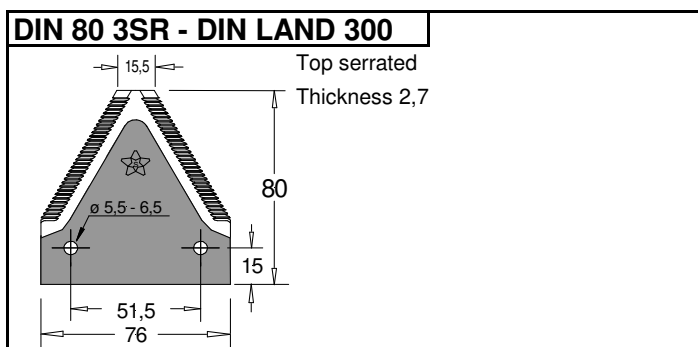
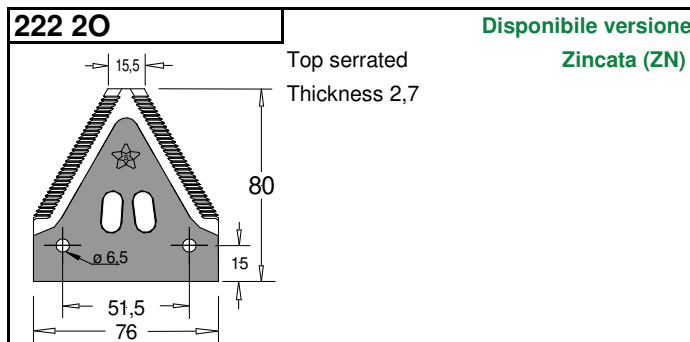
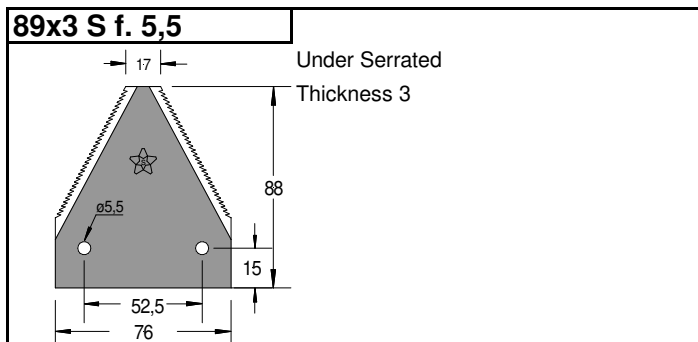


**LAME PER VITICOLTURA E CIMATRICI - BLADES FOR VITICULTURE**  
**KLINGEN FÜR DEN WEINBAU - SECTIONS POUR LA VITICULTURE**  
**CUCHILLAS PARA LA VITICULTURA - НОЖИ СТРИГАЛЬНЫХ МАШИН ДЛЯ ВИНОГРАДСТВА**

Code

Adaptable to: Code

Adaptable to:



Code bars

N° sections/fingers Length

Notes

Code bars	N° sections/fingers	Length	Notes
SLC 2010	24/25	1,90	Vertical bar
SLC 2020	20/21	1,60	Vertical bar
SLC 2030	26/27	2,05	Vertical bar
SLC 2040	11/12	0,85	Horizontal bar

Available also the rods assemblies with blades Franciacorta or fingers Vite Italiana unassembled in bars



**LAME PER VITICOLTURA E CIMATRICI - BLADES FOR VITICULTURE**  
**KLINGEN FÜR DEN WEINBAU - SECTIONS POUR LA VITICULTURE**  
**CUCHILLAS PARA LA VITICULTURA - НОЖИ СТРИГАЛЬНЫХ МАШИН ДЛЯ ВИНОГРАДСТВА**

Code

Adaptable to: Code

Adaptable to:











